

Required Tools

- Wire Cutters
- Pliers
- Torque Wrench
- Socket Wrench
- 3/8" Socket

Note: Array Edge Screen is NOT UL Listed

Materials Included - Array Edge Screen

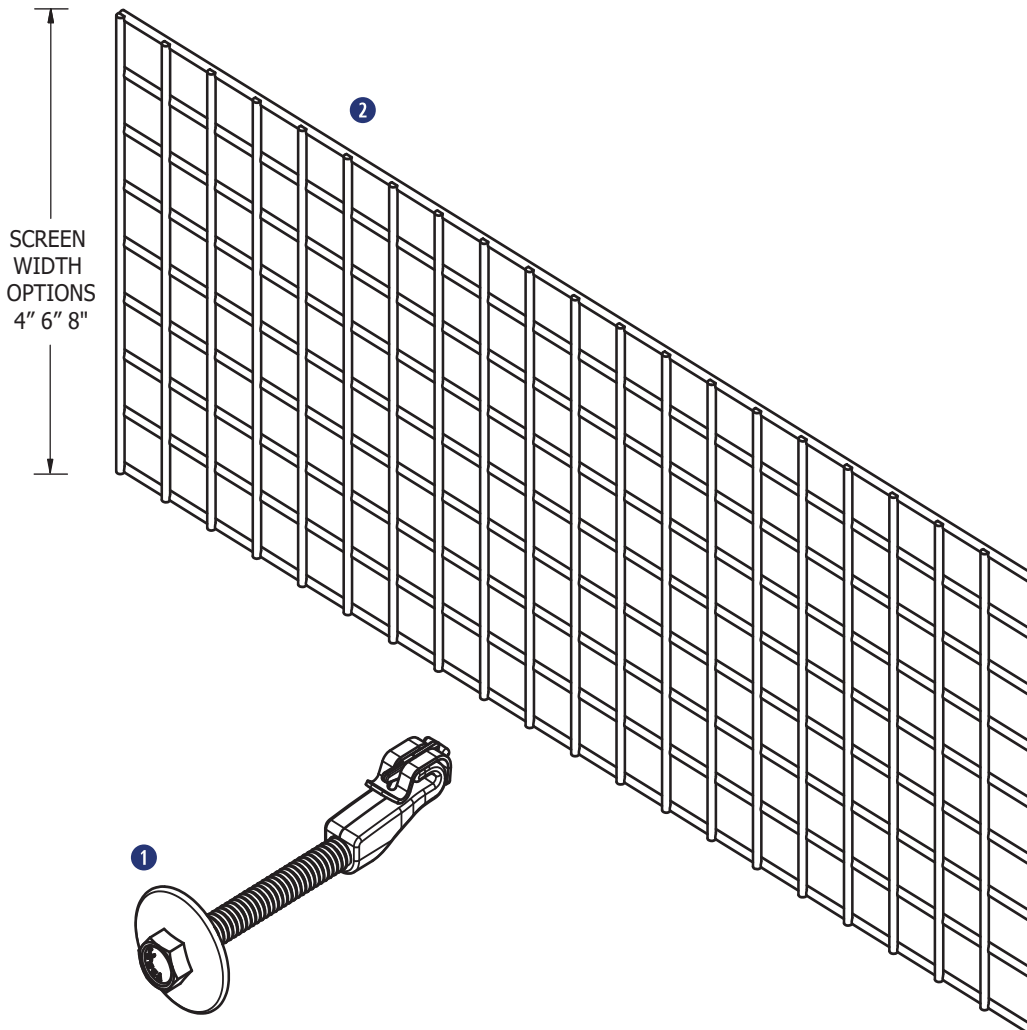
- 1 (1) SnapNrack Array Edge Screen Fastener
- 2 (1) SnapNrack Array Edge Screen

⚙️ Application Note:

Install to prevent animals from getting under the array and causing problems such as chewing on wires, or prevent leaves and other debris from collecting

⚙️ Note:

Add-A-Lip Box Frame Adapters are available from SnapNrack for modules with frames that do not have a lip on the underside for fastener to hook onto.



INSTALLATION INSTRUCTIONS



1) Lay out edge screen along perimeter of array and determine mounting height in relation to roof surface.

Best Practice:

Screen should be bent out slightly where it meets roof surface to support screen and ensure there are no gaps.



2) Install first edge screen fastener by pushing it through hole in screen with hook feature on top, then pulling hook feature over module lip.

Install Note:

Spring-loaded fastener will stay in place once hook is engaged on module frame.



3) Tighten hardware to 6 ft-lbs.



4) Continue to install edge screen fasteners along the perimeter of the array, spacing them 18-24" apart throughout and within 6" from corners.